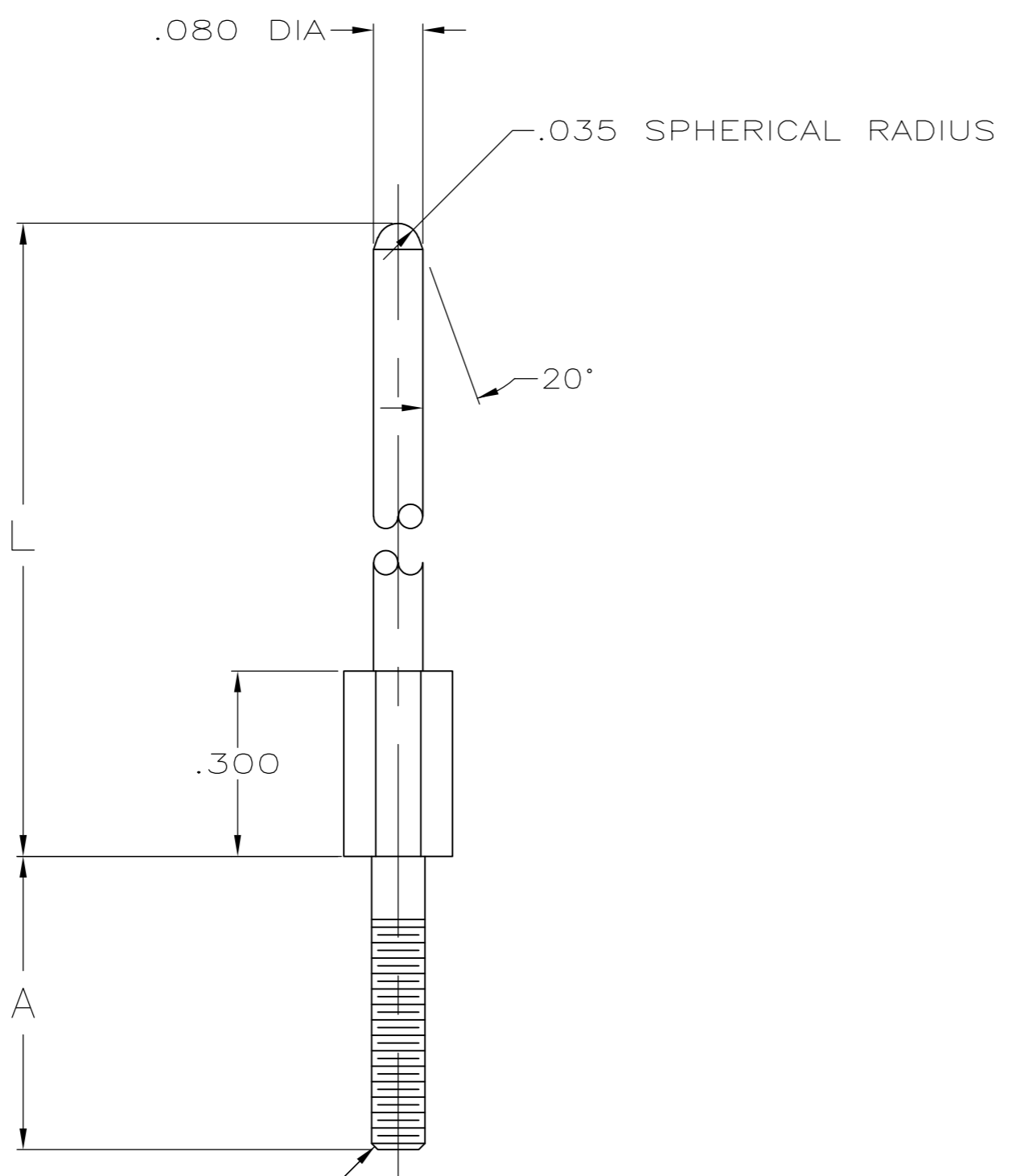
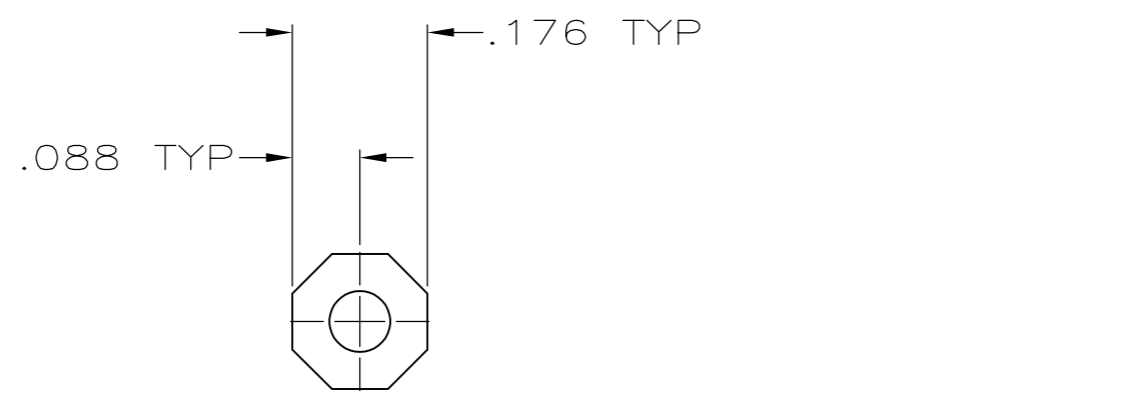


THIS DRAWING IS UNPUBLISHED. RELEASED FOR PUBLICATION
 © COPYRIGHT - By - ALL RIGHTS RESERVED.

LOC	DIST	REVISIONS			
P	LTR	DESCRIPTION	DATE	DWN	APVD
AD	00				
	R3	REVISED PER ECO-12-006399	10JUL12	KH	AS



#2-56 UNC THREAD

- 1 MATERIAL : BRASS
- 2 FINISH : .000030 GOLD OVER .000050 NICKEL UNDERPLATE.
- 3 FINISH : .000050 GOLD OVER .000050 -.000100 NICKEL UNDERPLATE.
- 4 FINISH : .000050 -.000100 NICKEL PLATE ALL OVER.

OBsolete	L	A	FINISH	PART NUMBER
OBSOLETE	1.025	.450	PLAIN	2-533082-0
OBSOLETE	.750	.475	2	1-533082-9
OBSOLETE	.820	.560	PLAIN	1-533082-8
OBSOLETE	.750	.475	PLAIN	1-533082-7
OBSOLETE	1.195	.690	2	1-533082-6
OBSOLETE	1.195	.690	PLAIN	1-533082-5
OBSOLETE	.850	.560	2	1-533082-4
OBSOLETE	.850	.560	PLAIN	1-533082-3
OBSOLETE	1.195	.475	4	1-533082-2
	1.025	.560	2	1-533082-1
	1.025	.560	PLAIN	1-533082-0
	1.025	.475	2	533082-9
	1.025	.475	PLAIN	533082-8
	1.195	.475	PLAIN	533082-7
	1.195	.475	2	533082-6
OBSOLETE	1.025	.375	3	533082-5
	1.195	.375	2	533082-4
	1.025	.375	2	533082-3
	1.195	.375	PLAIN	533082-2
	1.025	.375	PLAIN	533082-1

THIS DRAWING IS A CONTROLLED DOCUMENT.		DWN DAVID HOFFMAN 03/20/90	TE TE Connectivity	
DIMENSIONS: INCHES		CHK J.D.WEARY 02/07/92		
TOLERANCES UNLESS OTHERWISE SPECIFIED:		APVD -	NAME	
0 PLC ± -		PRODUCT SPEC -	AMP-HDI SERIES 100 KEYING POWER PIN	
1 PLC ± -		APPLICATION SPEC -	SIZE A2	CAGE CODE 00779
2 PLC ± -		WEIGHT -	DRAWING NO C=533082	RESTRICTED TO -
3 PLC ± .005			SCALE 4:1	SHEET 1 of 1
4 PLC ± -			REV R3	
ANGLES ± -				
FINISH				